



By
Shoot-A-Way
PROVEN BY THE NATION'S BEST

Setup and Operation Manual



The Gun is shipped fully assembled and ready to go. All you need is an extension cord.

Caution: Plug unit in with one extension cord. Multiple light duty cords will burn up motor.

Caution: Do not put hands in throwing box! Unit could trip and cause injury. Do not leave unit plugged in and unsupervised.

Do not use black or multi-colored balls in this machine.

We only want Happy Customers!
If you have any problems or questions,
give us a call at 1-800-294-4654

Getting ready to shoot.

Step 1. Choose the pass location by pressing the number or numbers you want to shoot from.

Step 2. Set the Time Between Throws.

Step 3. Select the amount of shots to be taken before moving to next spot.

Reset your stats with the "Clear Front Display" button.



Choose between 10 different passing distances.



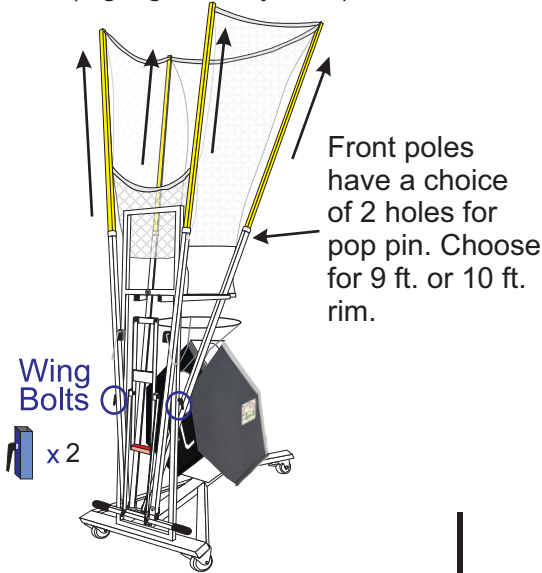
1. Adjust the lever located on the back of the basket to change the distance of the passes being thrown.

Please call with any questions - 800-294-4654

Step 1.

Extend Silver Poles

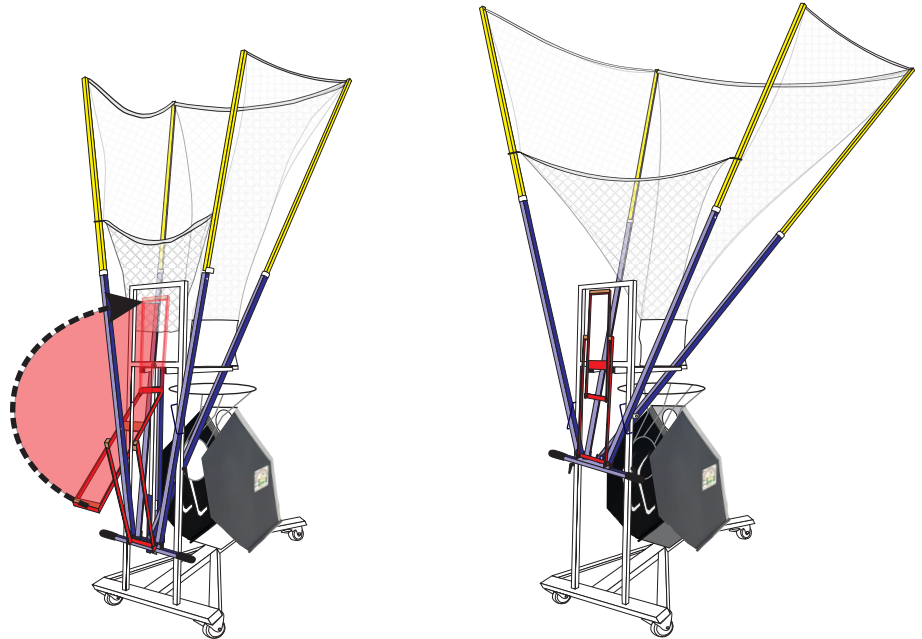
Extend 4 Silver Poles (highlighted in yellow)



Make sure 2 wing bolts are tight. (at blue circles)

Pull silver net poles out until silver pop pin snaps in place to hold pole up.

Step 2. Raise Net Poles and Expand Net

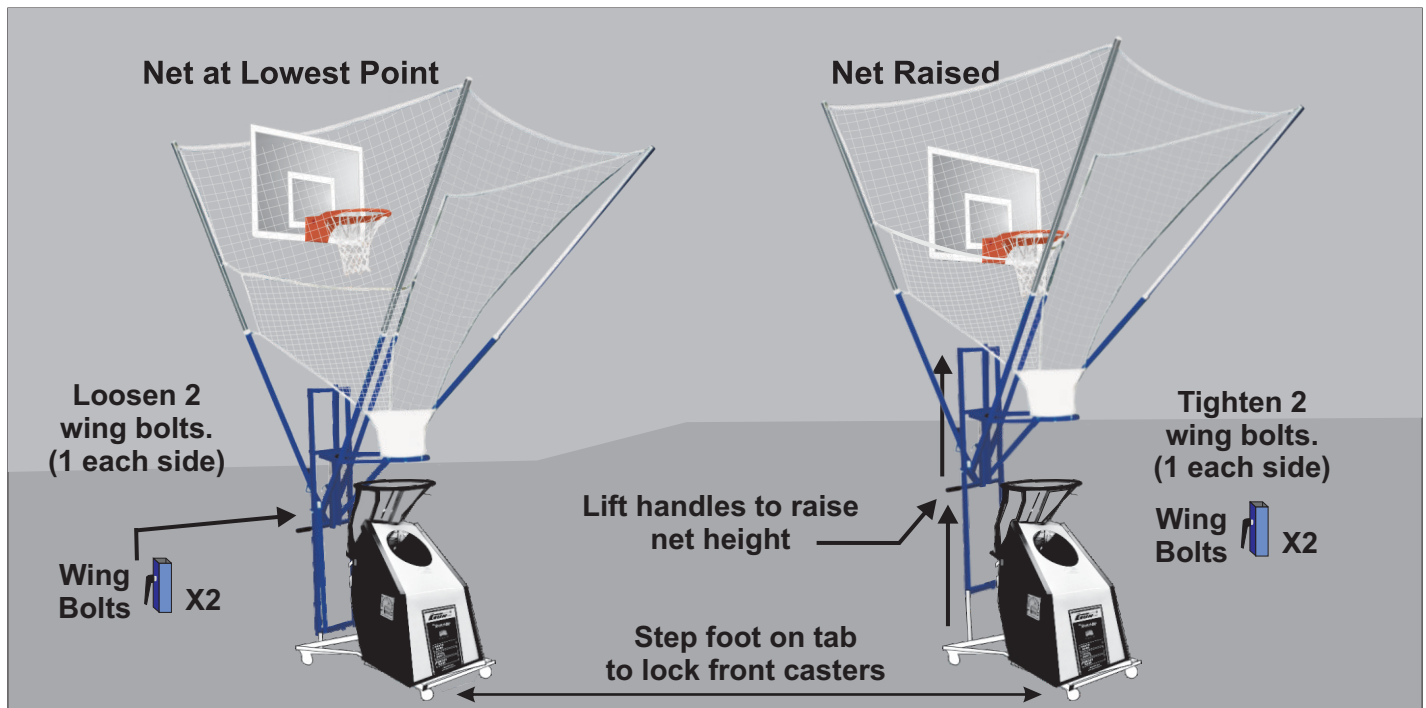


To Raise and spread net, swing lift handle up (shown at left in red) until it is in a vertical position with hand grip at top of machine. (shown at right above) A magnet on the cross piece of machine back will hold the lift arm up in the vertical position.

Note: Be sure to adjust net height as described in Step 3 below before using machine.

Step 3. Adjust Net Height

Net height is now at it's lowest height of 11'3". This will not catch all missed shots. To raise net height, loosen 2 wing bolts and lift handles to raise the net and all the poles. The machine below on the right has been raised approximately 14". As you can see, the back of the net is bowing under the rim, which is fine. Normal height to raise unit is 1 foot, but it can be raised as much as 32". After raising net, tighten 2 wing bolts.



Unit is now ready to be used. Connect unit to power with a single, heavy gauge extension cord. Multiple, light duty cords may cause damage to machine.

Please call with any questions - 800-294-4654

Mount Wand to Count Shots Made

(Net Removed for clarity)

